



## TECHNO FLAP-S

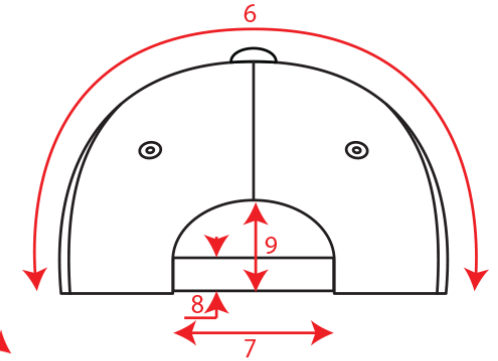
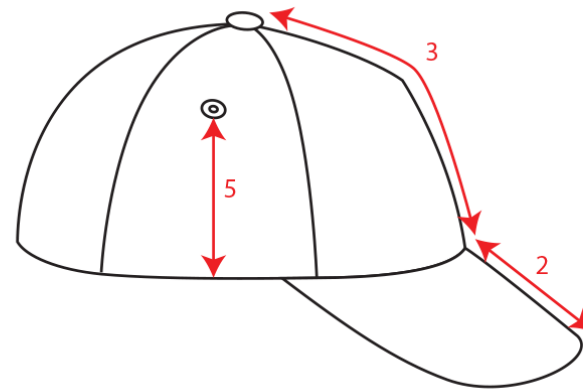
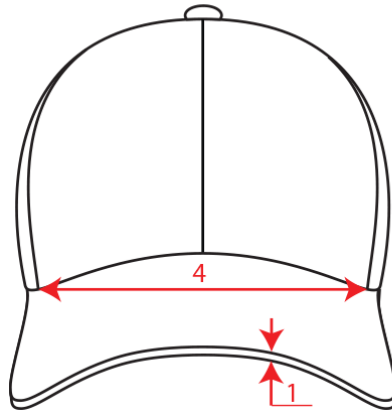
Outdoor winter hat with ear flaps made of recycled nylon. Water repellent outside and recycled polar fleece inside. Unstructured front panels and curved visor. Adjustable closure with elastic drawstrings and stopper.

### Technical accessories

<b>Composition</b>	Main Fabric: 100% Recycled Nylon - Lining: 100% Recycled Polyester - 120 gsm
<b>Panels</b>	6 Panels/ no stitching
<b>Sweatband</b>	No sweatband
<b>Eyelets</b>	6 Metal silver eyelets on crown
<b>Buckram</b>	No buckram- Unstructured front panels
<b>Closure</b>	Fully Closed on Back with Stopper
<b>Lining</b>	Recycled Polar Fleece Lining
<b>Piping</b>	Piping Over The Visor
<b>Washing</b>	CO Water Repellent
<b>Size</b>	One size fits all
<b>Packing</b>	12 x 72
<b>Custom code</b>	6505.00.30

**Technical Size (cm)**

- 1** 0.25
- 2** 8.0
- 3** 16.0
- 4** 20.5
- 5** 8.5
- 6** 34.0



**Color variants ( TPX / Pantone )**

**S-RED**



**HAT:** 19-1760 / 187-C  
**LINING:** 17-1502 / 2334-C

**S-BLACK**



**HAT:** 19-4006 / BLACK-6-C  
**LINING:** 17-1502 / 2334-C

**S-NAVY**



**HAT:** 19-4023 / 289-C  
**LINING:** 17-1502 / 2334-C

**S-DARK-GREY**



**HAT:** 18-0503 / 7540-C  
**LINING:** 19-4006 / BLACK-6-C