



RAPPER CANVAS-S

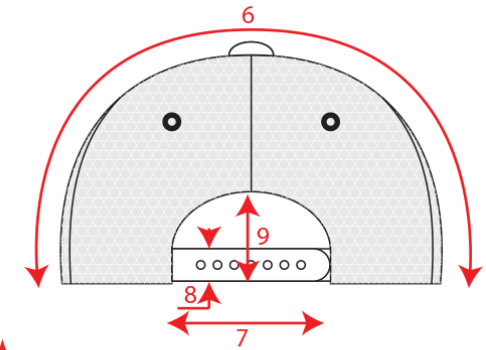
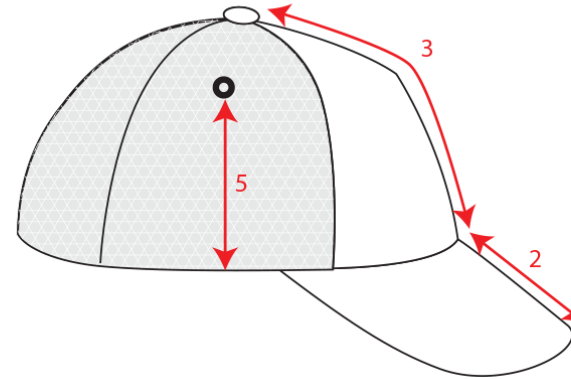
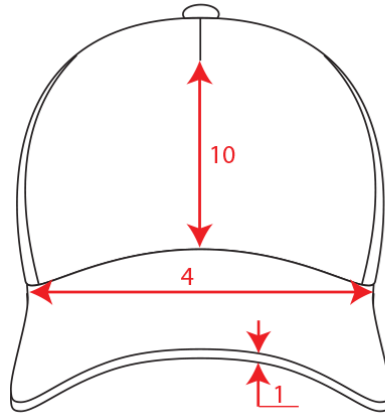
Leisure trucker hat in recycled polyester canvas and recycled polyester mesh on side and back. 5 panels shape and mid visor.

Technical accessories

Composition	Main Fabric: 100% Recycled Polyester Canvas - Side&back: 100% Recycled Polyester Mesh - 270 gsm
Panels	5 Panels/ full stitching/ k36
Sweatband	Sweatband self fabric with 4 stitching (closed on back)/
Eyelets	No eyelets
Buckram	Buckram oxford
Stitching	Jeans stitching
Closure	Recycle Pvc Snapback Closure
Size	One size fits all
Packing	24 x 144
Custom code	6505.00.30
Made in	China

Technical Size (cm)

- 2** 6.5
- 3** 17.0
- 4** 18.5
- 5** 0
- 6** 33.0
- 7** 6.0
- 8** 2.0
- 9** 6.0
- 10** 9.5



Color variants (TPX / Pantone)

S-BLACK-GREY



BILL: 19-4006 / BLACK-6-C
UNDERBILL: 19-4006 / BLACK-6-C
SIDE: 16-3802 / 408-C

S-OLIVE-KHAKI



BILL: 18-0521 / 417-C
UNDERBILL: 18-0521 / 417-C
FRONT PANEL: 18-0521 / 417-C
SIDE: 15-1214 / 7504-C

S-GREY-NAVY



BILL: 19-3921 / 296-C
UNDERBILL: 19-3921 / 296-C
FRONT PANEL: 16-3802 / 408-C
SIDE: 19-4122 / 534-C

S-WHITE-BURGUNDY-BLACK



BILL: 19-1863 / 1955-C
UNDERBILL: 19-1863 / 1955-C
FRONT PANEL: 11-0601 / WHITE
SIDE: 19-4005 / BLACK-C

S-GREY-BLACK



BILL: 16-3802 / 408-C
UNDERBILL: 16-3802 / 408-C
FRONT PANEL: 16-3802 / 408-C
SIDE: 19-4005 / BLACK-C