



NOMAD-S

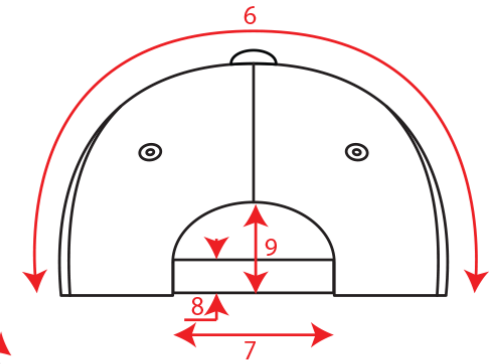
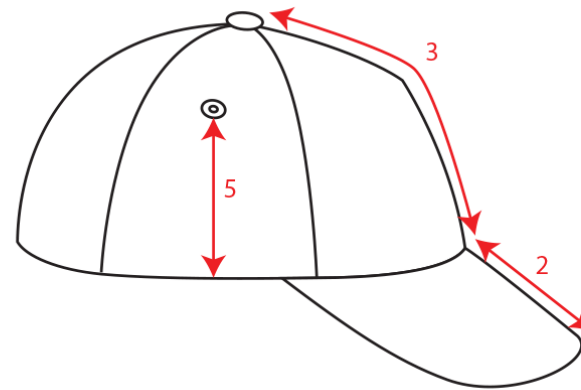
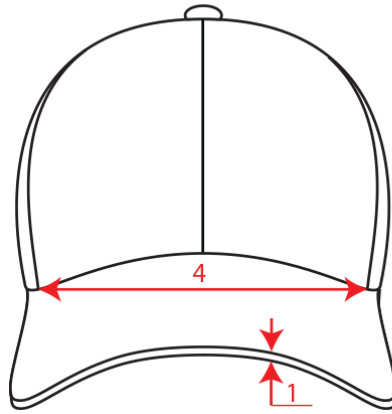
Outdoor trip hat in recycled polyester with UV protection. Unstructured front panels and curved visor. Neck sunshield on the back with adjustable closure with elastic drawstrings.

Technical accessories

Composition	Main Fabric: 100% Recycled Polyester - 120 gsm
Panels	6 Panels
Sweatband	Sweatband self fabric with 4 stitching (closed on back)/
Eyelets	No eyelets
Buckram	No buckram- Unstructured front panels
Closure	Fully Closed on Back with Stopper
Washing	Anti - Uv Treatment
Size	One size fits all
Packing	24 x 144
Custom code	6505.00.30
Made in	China

Technical Size (cm)

- 1** 0,2
- 2** 7
- 3** 16
- 4** 19
- 6** 33,5



Color variants (TPX / Pantone)

S-OLIVE



SWEATBAND: 18-0420 / 7497-C
HAT: 18-0420 / 7497-C

S-KHAKI



SWEATBAND: 15-1116 / 4250-C
HAT: 15-1116 / 4250-C