



KID RECY FIVE

Classic structured five panels baseball cap made of 100% certified recycled polyester. Full prostitching, curved visor and 4 eyelets. Kid size.

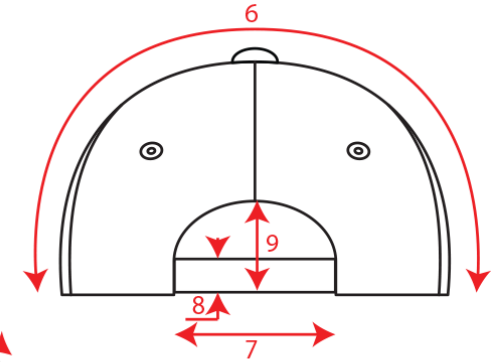
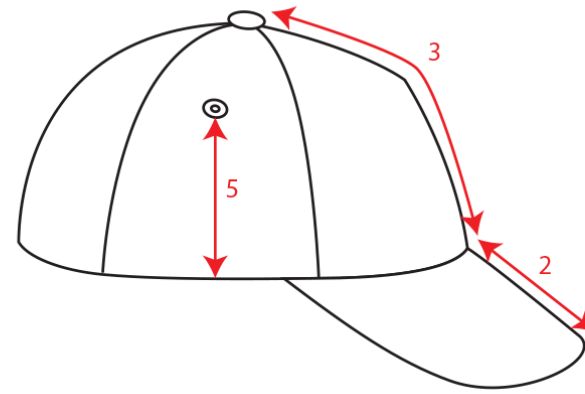
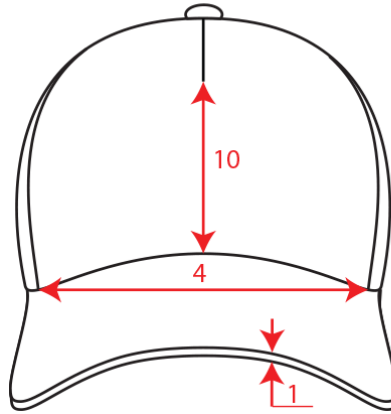


Technical accessories

Composition	Main Fabric: 100% Recycled Polyester Twill - 220 gsm
Panels	5 Panels
Sweatband	Sweatband TC sheeting with 2 stitching (open on back)
Eyelets	4 Sewn eyelets on side and back
Buckram	Buckram 30*30
Closure	Hook-and-loopclosure
Size	Kids size 52 cm
Packing	50 x 200
Custom code	6505.00.30
Made in	China

Technical Size (cm)

- 1 0.25
- 2 6.0
- 3 15.5
- 4 16.0
- 5 8.0
- 6 29.5
- 7 8.0
- 8 2.0
- 9 5.0
- 10 7.5



Color variants (TPX / Pantone)

LIGHT-BLUE



HAT: 15-4319 / 542-C

WHITE



HAT: 11-4800 / WHITE

YELLOW



HAT: 14-0957 / 7548-C

NAVY



HAT: 19-3921 / 296-C

BLACK



HAT: 19-4006 / BLACK-6-C

ROYAL



HAT: 19-4027 / 655-C

RED



HAT: 19-1763 / 200-C

PINK



HAT: 13-2010 / 707-C