



ESTORIL-S

Classic automotive cap revisited in recycled polyester jacquard. Structured shape with HQ hook-and-loop closure with plastic hole. Curved visor with contrasting piping insert, typical of the automotive world.

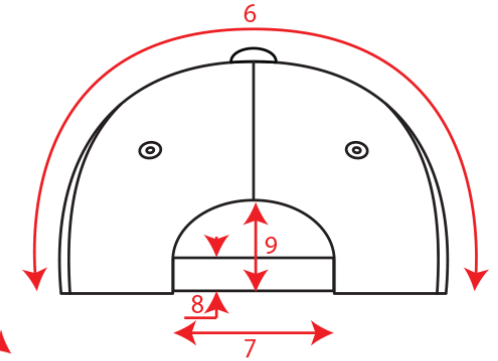
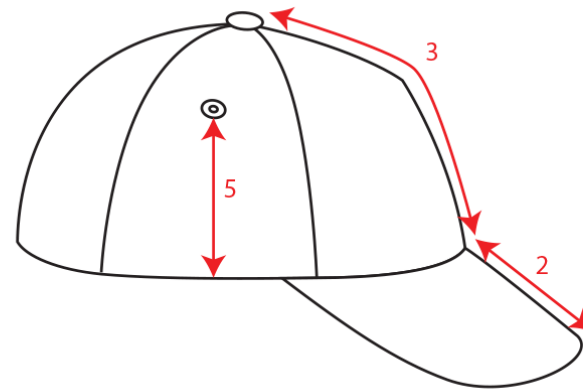
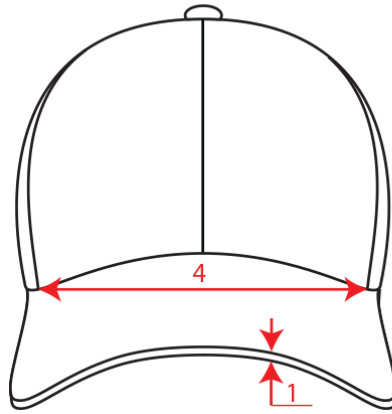


Technical accessories

| | |
|--------------------|---|
| Composition | Main Fabric: 100% Recycled Polyester Jacquard - 102 gsm |
| Panels | 6 Panels/ full stitching |
| Visor | Curved/ 4 rows/ Piping on bill |
| Sweatband | RPET Twill Sweatband |
| Eyelets | 6 Sewn eyelets on crown |
| Buckram | Buckram recycled |
| Closure | Hook-and-loop closure with plastic loop |
| Lining | Recycled Lamination |
| Piping | Half Piping |
| Size | One size fits all |
| Packing | 24 x 144 |
| Custom code | 6505.00.30 |

Technical Size (cm)

- 1** 0.25
- 2** 7.0
- 3** 16.0
- 4** 18.0
- 5** 9.0
- 6** 33.0
- 7** 9.0
- 8** 2.0
- 9** 6.5



Color variants (TPX / Pantone)

S-WHITE



HAT: 11-4800 / WHITE
PIPING: 19-4027 / 282-C

S-BLACK



HAT: 19-4005 / BLACK-C
PIPING: 11-4800 / WHITE

S-NAVY



HAT: 19-4027 / 282-C
PIPING: 11-4800 / WHITE

S-RED



HAT: 18-1655 / 1797-C
PIPING: 11-4800 / WHITE

S-ROYAL



HAT: 19-4056 / 7687-C
PIPING: 11-4800 / WHITE

S-BURGUNDY



HAT: 18-2027 / 2049-C
PIPING: 11-4800 / WHITE

S-GREY



HAT: 17-1501 / 423-C
PIPING: 11-4800 / WHITE

S-DARK-GREY



HAT: 19-3908 / 4140-C
PIPING: 11-4800 / WHITE

Color variants (TPX / Pantone)

S-BOTTLE-GREEN



HAT: 19-5513 / 5535-C

PIPING: 11-4800 / WHITE