



CREEP-S

Unstructured 6 panels baseball hat in recycled polyester corduroy 21 wales with mid visor and metal buckle closure with metal hole. Vintage look and warm handfeel.

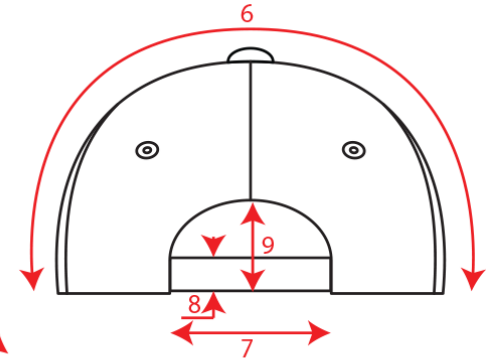
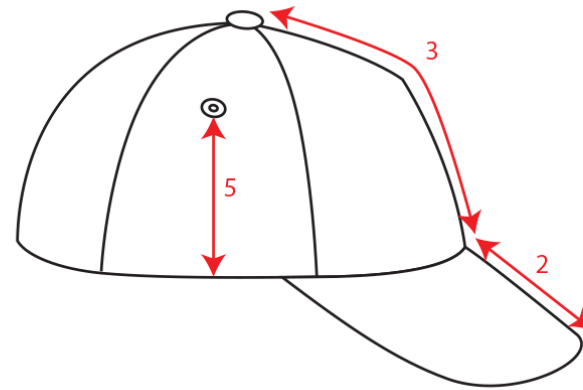
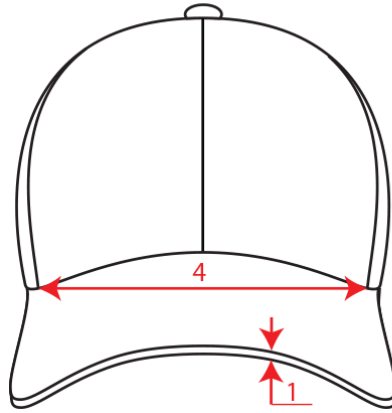


Technical accessories

Composition	Main Fabric: 100% Recycled Polyester Corduroy - 215 gsm
Panels	6 Panels/ full stitching
Sweatband	RPET Twill Sweatband
Eyelets	6 Sewn eyelets on crown
Buckram	No buckram- Unstructured front panels
Closure	full metal buckle silver with metal hole
Sustainable	Recycled Buckram
Size	One size fits all
Packing	24 x 144
Custom code	6505.00.30
Made in	China

Technical Size (cm)

- 1** 0.2
- 2** 7.0
- 3** 16.5
- 4** 18.0
- 5** 9.0
- 6** 33.5
- 7** 8.5
- 8** 1.8
- 9** 6.0



Color variants (TPX / Pantone)

S-OLIVE



HAT: 18-0521 / 417-C

S-DKGREY



HAT: 19-3910 / COOL-GREY-11-C

S-BURGUNDY



HAT: 19-1627 / 4103-C