



CORDY-S

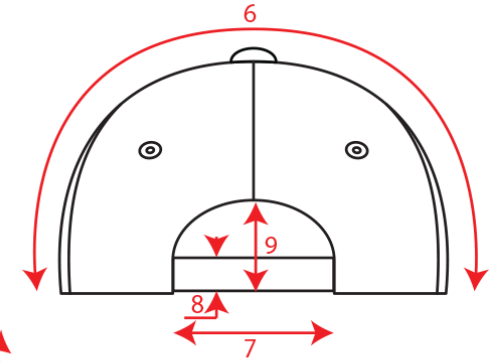
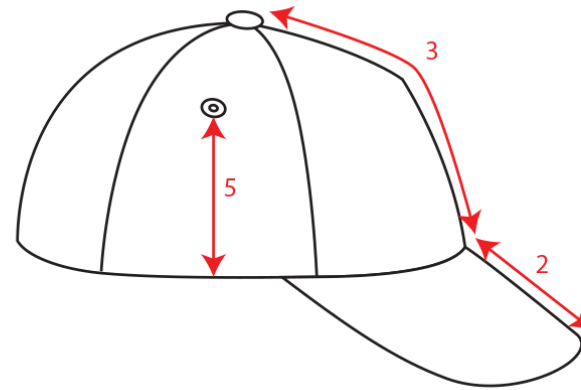
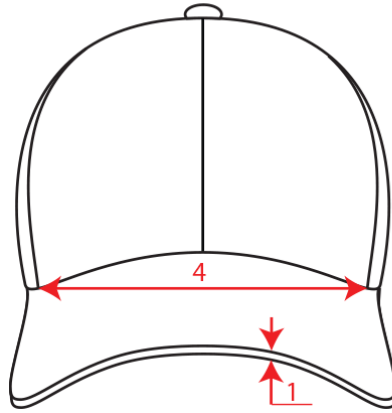
Structured 6 panels baseball hat in recycled polyester corduroy 8 wales with curved visor and hook-and-loop closure. Vintage look and warm handfeel.

Technical accessories

Composition	Main Fabric: 100% Recycled Polyester Corduroy - 230 gsm
Panels	6 Panels/ full stitching
Sweatband	RPET Twill Sweatband
Eyelets	6 Sewn eyelets on crown
Buckram	Buckram recycled
Closure	Hook-and-loopclosure
Sustainable	Recycled Buckram
Size	One size fits all
Packing	24 x 144
Custom code	6505.00.30
Made in	China

Technical Size (cm)

- 1** 0.2
- 2** 7.5
- 3** 17.0
- 4** 19.0
- 5** 10.0
- 6** 33.0
- 7** 15.0
- 8** 1.8
- 9** 7.0



Color variants (TPX / Pantone)

S-BROWN



HAT: 19-0812 / 412-C

S-GREY



HAT: 18-4005 / 4291-C