



BOND-S

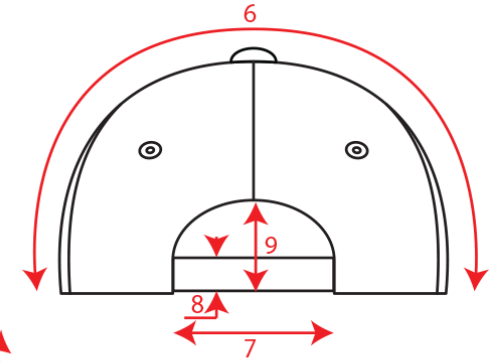
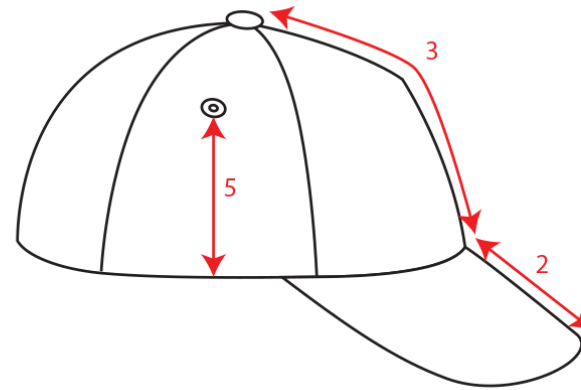
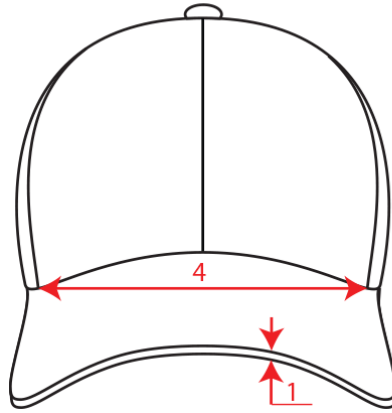
Comfortable structured hat made of recycled polyester and elastane. Seamless construction for maximum comfort and performance. Baseball shape with dry-tech sweatband and curved visor. HQ hook-and-loop closure.

Technical accessories

Composition	Main Fabric: 97% Recycled Polyester 3% Elastane - 190 gsm
Panels	6 Panels/ full stitching/ atl 1
Sweatband	Recycled Dry Tech Sweatband
Eyelets	No eyelets
Buckram	Buckram recycled
Closure	Quality hook-and-loopclosure
Washing	CO Water Repellent
Size	One size fits all
Packing	24 x 144
Custom code	6505.00.30
Made in	China

Technical Size (cm)

- 1** 0.2
- 2** 7.0
- 3** 16.5
- 4** 18.0
- 6** 32.0
- 7** 8.0
- 8** 2.0
- 9** 6.0



Color variants (TPX / Pantone)

S-NAVY



HAT: 19-3933 / 282-C

S-WHITE



HAT: 11-4202 / WHITE

S-BLACK



HAT: 19-4006 / BLACK-6-C